

D-SPLIT



GENERAL INFORMATION

D-SPLIT is an optical isolator/splitter for DMX512.

It allows the user more flexibility in connecting DMX-controlled devices. Instead of having to make them all fit within a single daisy chain, each of the four outputs from the D-SPLIT can be the start of its own chain, and multiple D-SPLITS can be linked together if needed.

APPLICATIONS

- SOLO MUSICIANS/BANDS
- DJS
- SMALL THEATRES
- PLACES OF WORSHIP

FEATURES

- Lightweight and portable
- 1 input, 4 outputs, all optically isolated (protects against up to 1000V of stray voltage)
- DMX512-1990 compatible
- Controls up to 512 channels

- LED indicators show Power and DMX output
- External 9V power supply
- Provides two 5-pin and two 3-pin outputs for greater flexibility, or all 5-pin (specify when ordering)

ORDERING INFORMATION

Part Number	Description
#70572	D-SPLIT (3pin and 5pin out mix)
#70575	D-SPLIT (all 5pin out)

ACCESSORIES

A DMX terminator is recommended to go at the end of each chain of DMX signal. Commonly found adapters can change from 3-pin to 5-pin format and vice versa.

Part Number	Description
#79122	5-PIN TERMINATOR
#79123	3-PIN TERMINATOR
#70029	3-PIN FEMALE to 5-PIN MALE
#70023	3-PIN MALE to 5-PIN FEMALE

SPARE PARTS

Part Number	Description
#79111	7V POWER SUPPLY

GENERAL SPECIFICATIONS

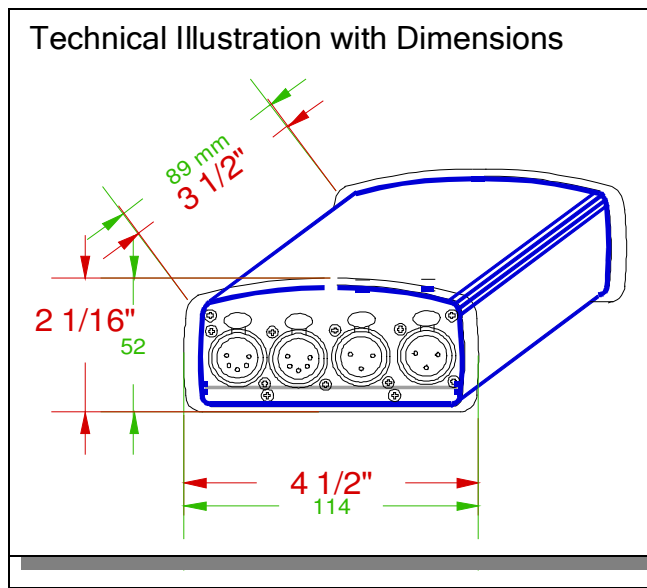
Power Requirements	7V, 300mA supplied by external power supply (included)
Weight	0.66 LBS / 0.3 KG
Shipped Weight	0.88 LBS / 0.4 KG
Width	4½" / 114MM
Height	2 1/16" / 52MM
Depth	3½" / 89MM
Operating Environment	0°-50°C in non-condensing environment

enttec.com

MELBOURNE AUS / LONDON UK / HILLSBOROUGH NC, USA

FUNCTIONAL SPECIFICATIONS

- DMX Output--5-Pin XLR and 3-Pin XLR. All four may be used simultaneously, or in any combination.
- 1000V isolation between input and output, and between any individual output receptacles. This protects your console from surges on DMX line, and also keeps any stray voltage from crossing to other DMX chains.



Wiring Diagram (Riser)

