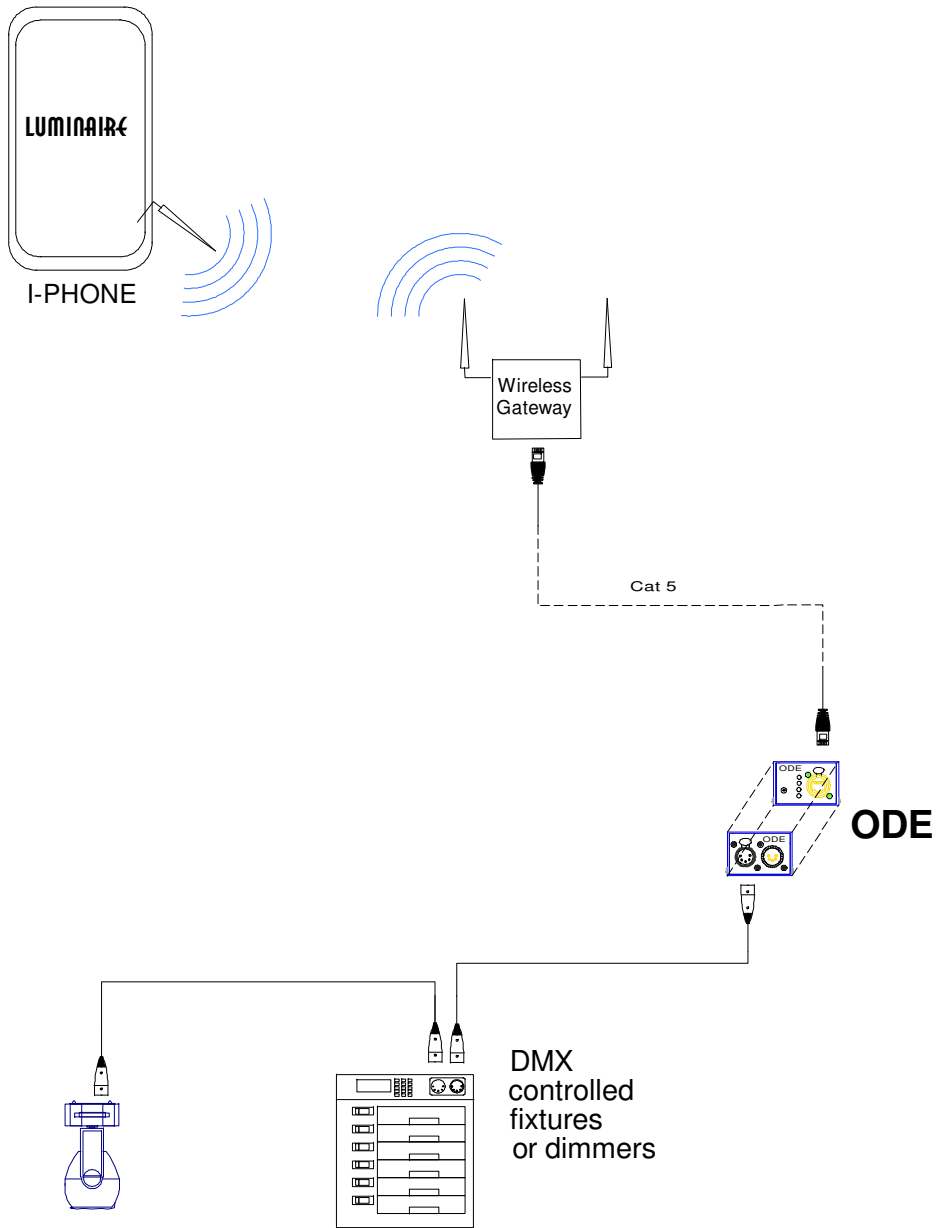


LUMINAIRE APPLICATION



Unit 17/5 Samantha Court  
Knoxfield 3180  
Australia  
+61 39 819 2433 Tel  
+61 39 819 2733 Fax

ENTTEC PTY LTD

ENTTEC USA  
SALES AND INFO  
809 Fanning Way  
Durham NC 27704  
888 454-5922 Voice/Fax

PLATE

70305-5

RISER DIAGRAM

Luminaire with ODE

SCALE: n/a

Some elements drawn out of scale for clarity

DRAWING DATE: Oct 14, 2009

DRAWN BY: J KUMIN

**ENTTEC**  
Entertainment Technology